

1

2

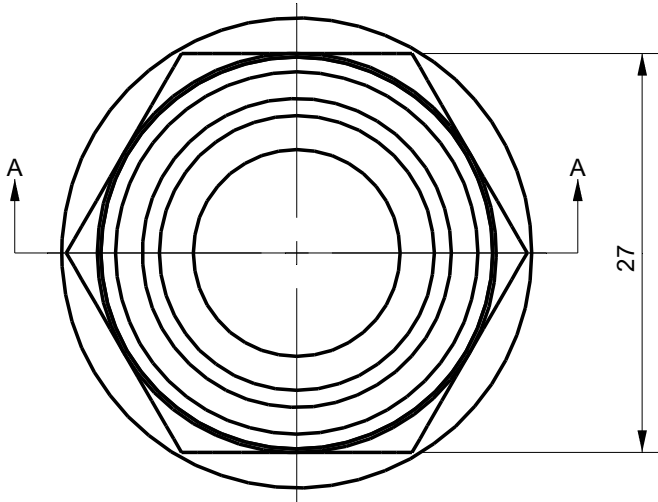
3

4

Rev.A date

Description revision

A

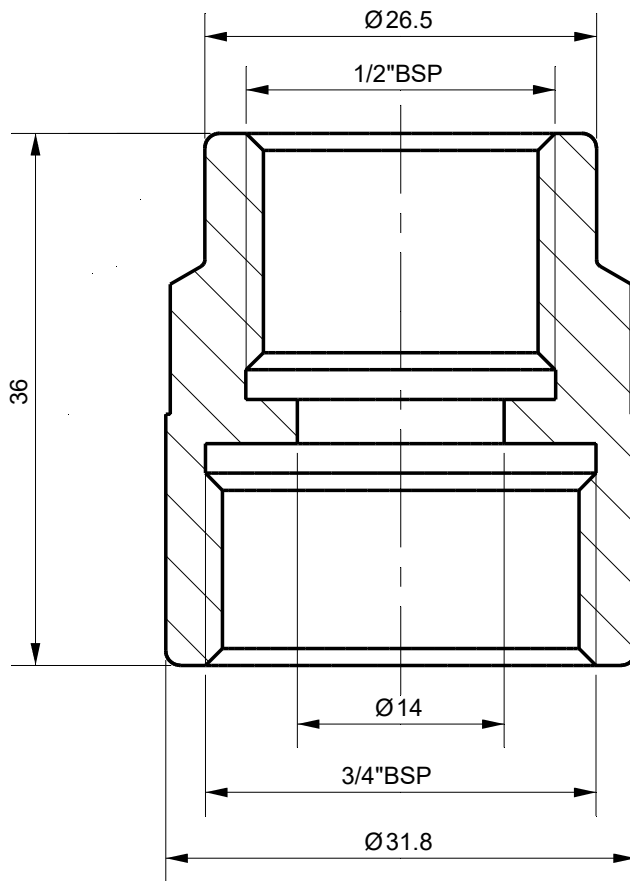


B

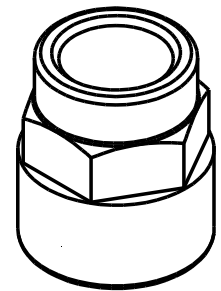
C

D

E



Section A-A

**Tolerances**

Unless Otherwise Specified  
ACC. DIN-ISO 2768 -1and 2  
Angular +/- 0,3°  
Corners <0,2x45° / R<0,2

**Finish**

-

**Material**

St.St. 316

**Dimension (No Decimals)**

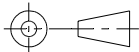
0 t/m 6	6 t/m 30	30 t/m 120	120 t/m 400	400 t/m 1000
0,1	0,2	0,3	0,5	0,8

**Tolerance****Name****Date**

1-1-2022

**Remarks****Description**

Adapter Longcast Nozzle 1/2"BSP

**Projection**

Drawing remains the property of  
Salomon Jetting Parts B.V.

Unit  
mm

Number

**Project**

F



Salomon Jetting Parts B.V.  
Industriestraat 17  
3291 CC Strijen  
www.sjpbv.com  
info@sjpbv.com  
+31 (0) 88 126 1900

**Size**

A4

**Drawing nr.**

119029-5

**Rev**

A

**Scale**

CAD File

**Sheet**

1 of 1