

1

2

3

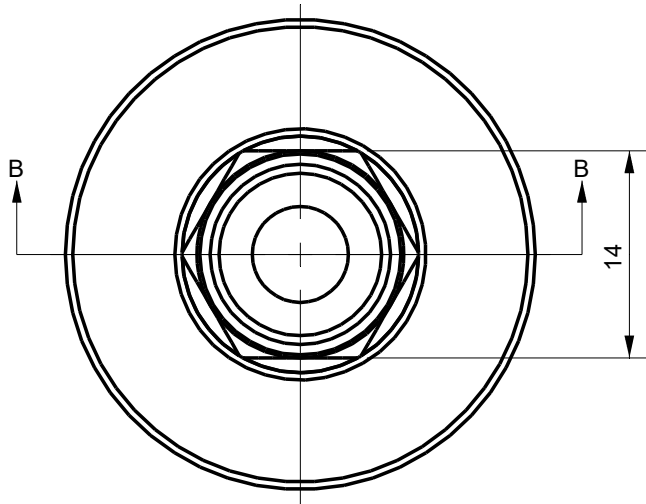
4

Rev.A

date

Description revision

A

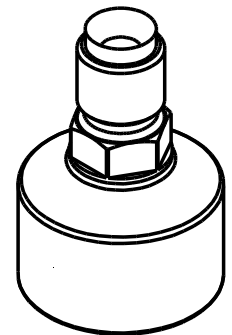
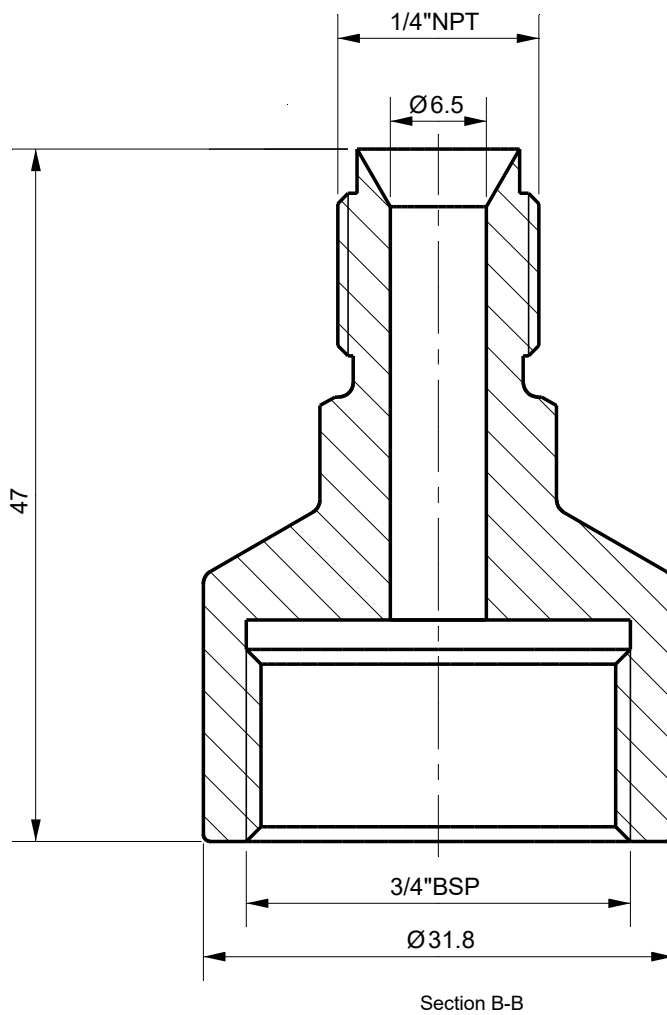


B

C

D

E

**Tolerances**

Unless Otherwise Specified
ACC. DIN-ISO 2768 -1and 2
Angular +/- 0,3°
Corners <0,2x45° / R<0,2

Finish

-

Material

St.St.316

Dimension (No Decimals)

0 t/m 6	6 t/m 30	30 t/m 120	120 t/m 400	400 t/m 1000
0,1	0,2	0,3	0,5	0,8

Tolerance

0,1

0,2

0,3

0,5

0,8

Name

Date

Remarks

Drawn

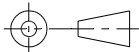
27-2-2024

Checked

Description

Adapter Longcastnozzle
1/4" NPTM

Projection



Drawing remains the property of
Salomon Jetting Parts B.V.

Unit

mm

Number

Project

F



Salomon Jetting Parts B.V.
Reedijk 8-1
3274 KE Heinenoord
www.sjpbv.com
info@sjpbv.com
+31 (0) 88 126 1900

Size
A4

Drawing nr.

119029-7

Rev

A

Scale
2:1

CAD File

Sheet

1 of 1