

1

2

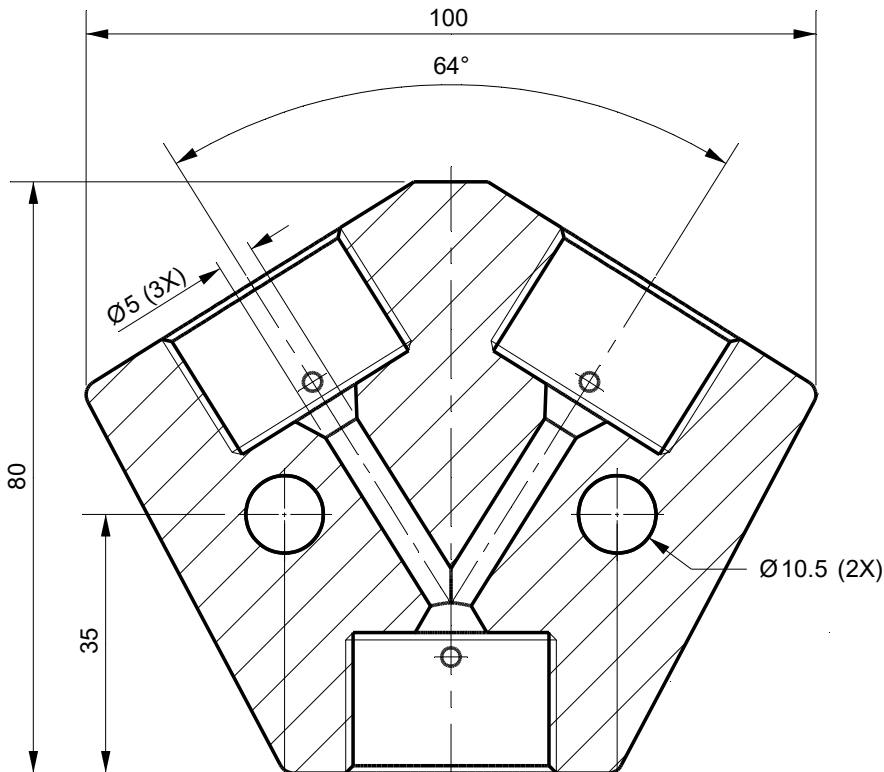
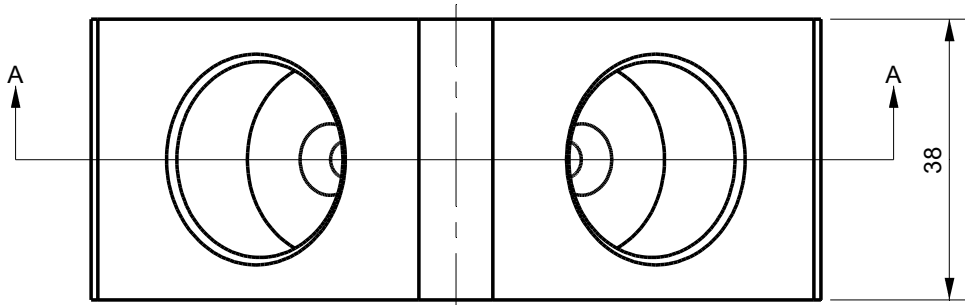
3

4

Rev.A

date

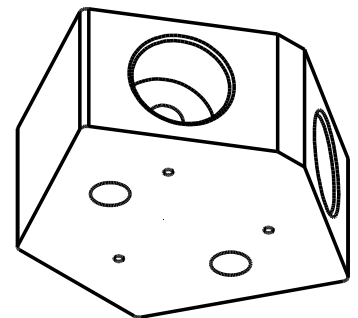
Description revision



1 1/8"-12 UNF (3X)

45

Section A-A

**Tolerances**

Unless Otherwise Specified  
ACC. DIN-ISO 2768 -1and 2  
Angular +/- 0,3°  
Corners <0,2x45° / R<0,2

**Finish**

-

**Material**

St.St. 316

**Dimension (No Decimals)**

0 t/m 6	6 t/m 30	30 t/m 120	120 t/m 400	400 t/m 1000
0,1	0,2	0,3	0,5	0,8

**Tolerance****Description**

Y-blok UHP Compact

**Name****Date**

28-6-2022

**Remarks**

Drawing remains the property of  
Salomon Jetting Parts B.V.

Unit  
mm

Number

**Project**

Size

Drawing nr.

Rev



Salomon Jetting Parts B.V.

Industriestraat 17  
3291 CC Strijen  
www.sjpbv.com  
info@sjpbv.com  
+31 (0) 88 126 1900

A4

22-007-110-S

A

Scale  
1:1

CAD File

Sheet

1 of 1