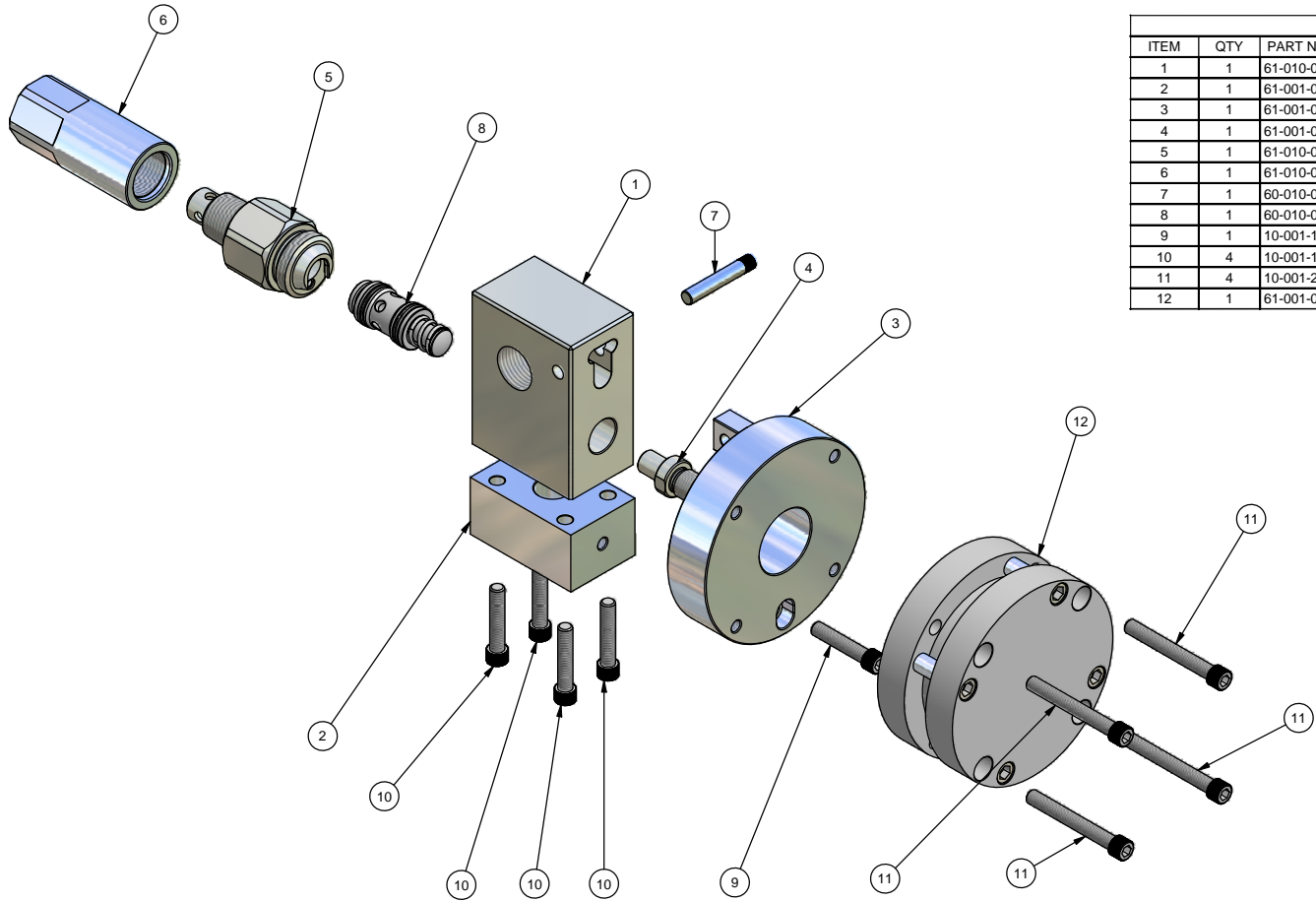


4

3

2

1



PARTS LIST			
ITEM	QTY	PART NUMBER	DESCRIPTION
1	1	61-010-003	FOOT GUN BLOCK 15K
2	1	61-001-002	SPACER BLOCK
3	1	61-001-001	PLATE - 15K AIR ACTUATED FOOT GUN
4	1	61-001-003	ACTUATOR PISTON
5	1	61-010-001	15K DUMP ADAPTER
6	1	61-010-002	DUMP TUBE
7	1	60-010-021	TRIGGER PIVOT PIN
8	1	60-010-020	15K CARTRIDGE ASSEMBLY
9	1	10-001-1125	1/4\"-20 SHCS 1-1/8\" LONG
10	4	10-001-125	1/4\"-20 SHCS 1-1/4\" LONG
11	4	10-001-200	1/4\"-20 SHCS 2\" LONG
12	1	61-001-004	AIR ACTUATOR CYLINDER

4

3

2

1

<p>This document and all information and data disclosed herein or hereon, are the confidential and proprietary property of Advanced Pressure Systems L.P. and are not to be used, reproduced or disclosed, in whole or in part, by or to anyone, without the written permission of Advanced Pressure Systems L.P.</p>		<p>THIS IS A PROPRIETARY AND CONFIDENTIAL DOCUMENT</p> <p>© Advanced Pressure Systems L.P.</p>		<p>AUTHOR PJD</p> <p>CHECKED BY DLM</p> <p>ENG. APP'D BY PJD</p> <p>MFG. APP'D BY DLM</p> <p>USED IN:</p>	<p>DATE 10/2/2008</p> <p>DATE 10/2/2008</p> <p>DATE 10/2/2008</p> <p>DATE 10/2/2008</p>	<p>APS ADVANCED PRESSURE SYSTEMS L.P. Manufacturing Services 701 S. Parsammon, Suite 86 Tomball TX 77375</p>									
<p>REVISION HISTORY</p> <table border="1"> <thead> <tr> <th>REV</th> <th>DESCRIPTION</th> <th>ECN NO.</th> <th>DATE</th> <th>APPLY</th> </tr> </thead> <tbody> <tr> <td> </td> <td> </td> <td> </td> <td> </td> <td> </td> </tr> </tbody> </table>		REV	DESCRIPTION	ECN NO.	DATE	APPLY						<p>1) All units are in inches unless noted otherwise</p> <p>2) Tolerances are as follows: 0.X ± 0.005 0.XX ± 0.015 0.XXX ± 0.005 Angles ± 0.5 degrees Conc. 0.008 TIR</p>		<p>TITLE AIR OPERATED FOOT GUN - (Without Base)</p> <p>MATERIAL</p> <p>FINISH</p>	
REV	DESCRIPTION	ECN NO.	DATE	APPLY											
<p>REMOVE BURRS AND BREAK SHARP EDGES</p>		<p>SIMILAR TO</p> <p>SIZE B</p>		<p>SHEET 1</p> <p>OF 1</p>	<p>PART NUMBER 61-001-006</p> <p>REV 0</p>										